



I.C.E. BLOCK®
(U.S. Patent No. 4,223,501)

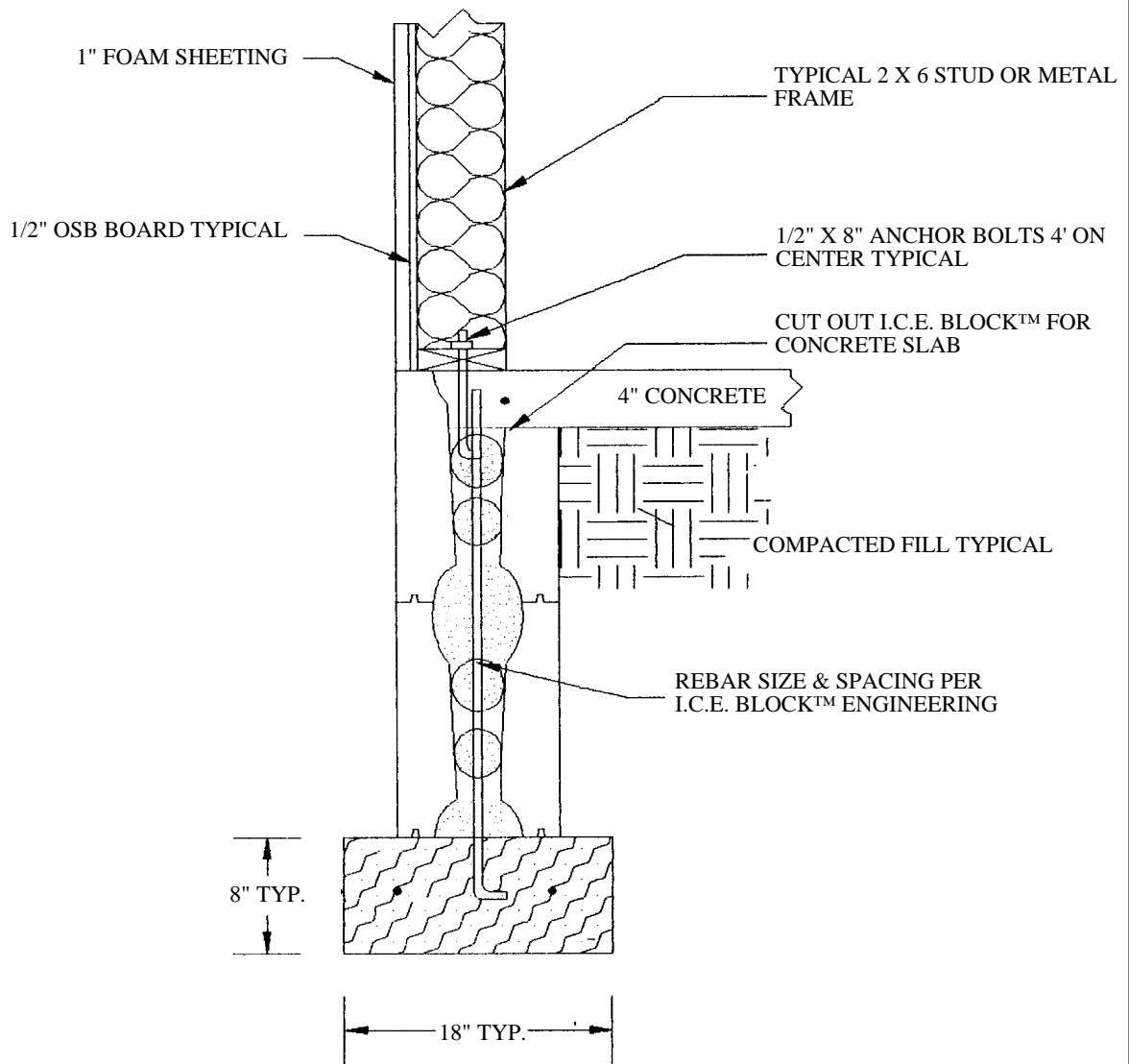
Detail Manual

An energy efficient - cost effective building system,
designed for contractors and property owners alike.

I.C.E. BLOCK™ WALL SYSTEM

1

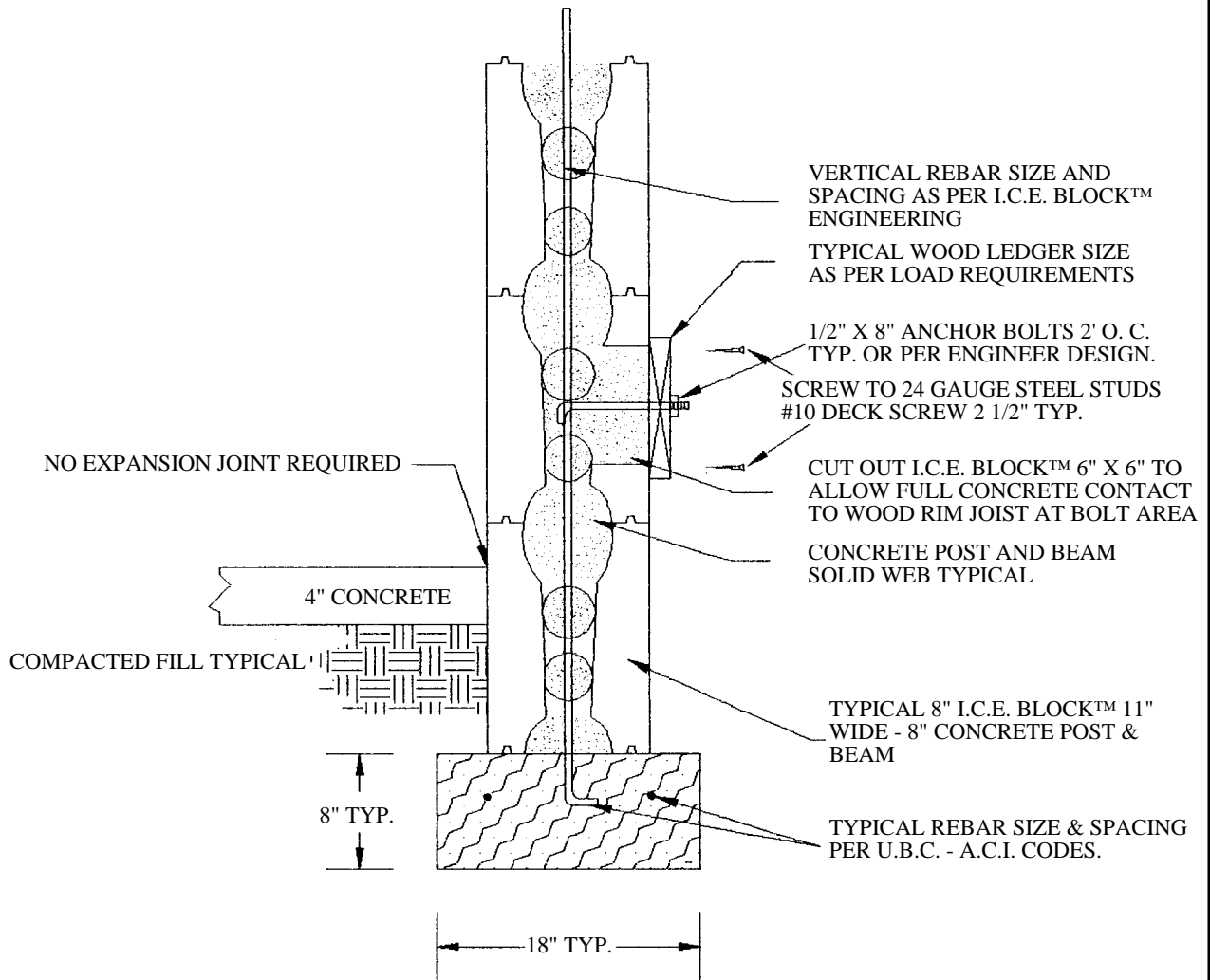
TYPICAL WOOD FRAME TO CONCRETE FLOOR



Note: This is only a suggested method of incorporating different building methods with the I.C.E. Block™ Wall System. Please consult your architect or engineer for their approvals.

I.C.E. BLOCK™ WALL SYSTEM

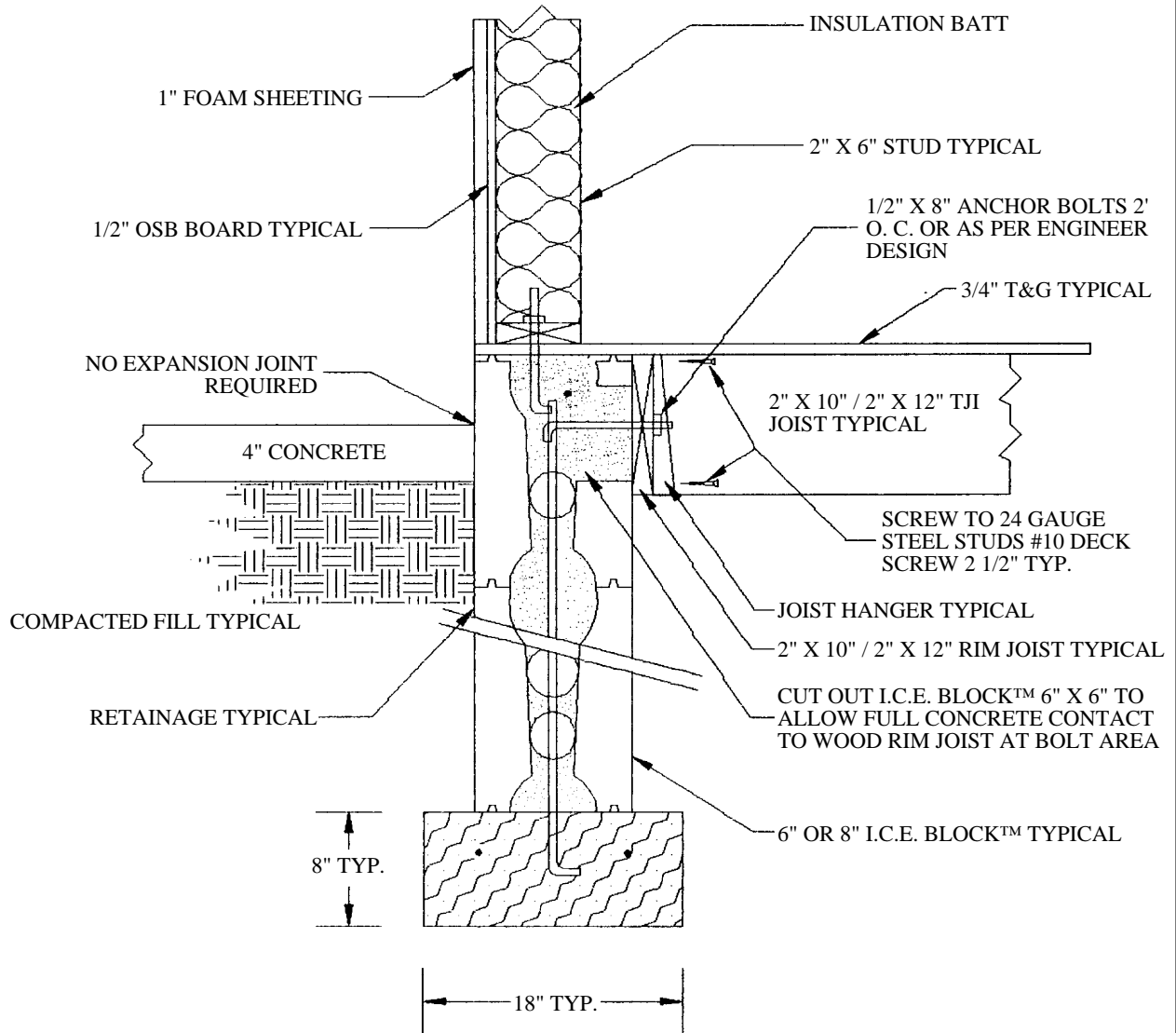
2 TYPICAL WALL - I.C.E. BLOCK™ TO CONCRETE FLOOR / WOOD FLOOR



Note: This is only a suggested method of incorporating different building methods with the I.C.E. Block™ Wall System. Please consult your architect or engineer for their approvals.

I.C.E. BLOCK™ WALL SYSTEM

3



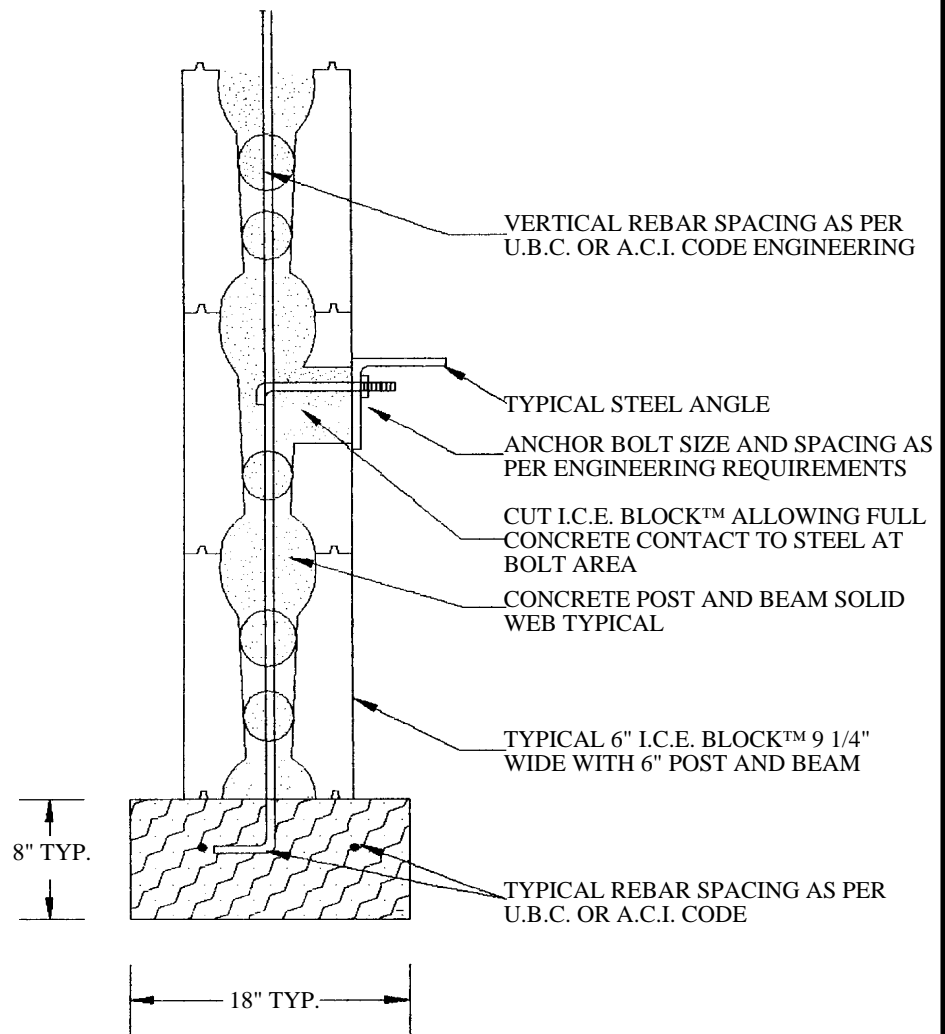
Note: This is only a suggested method of incorporating different building methods with the I.C.E. Block™ Wall System. Please consult your architect or engineer for their approvals.

Detail 3

I.C.E. BLOCK™ WALL SYSTEM

4

TYPICAL STEEL LEDGER SIZE PER ENGINEERING REQUIREMENTS OR TYPICAL BRICK LEDGER

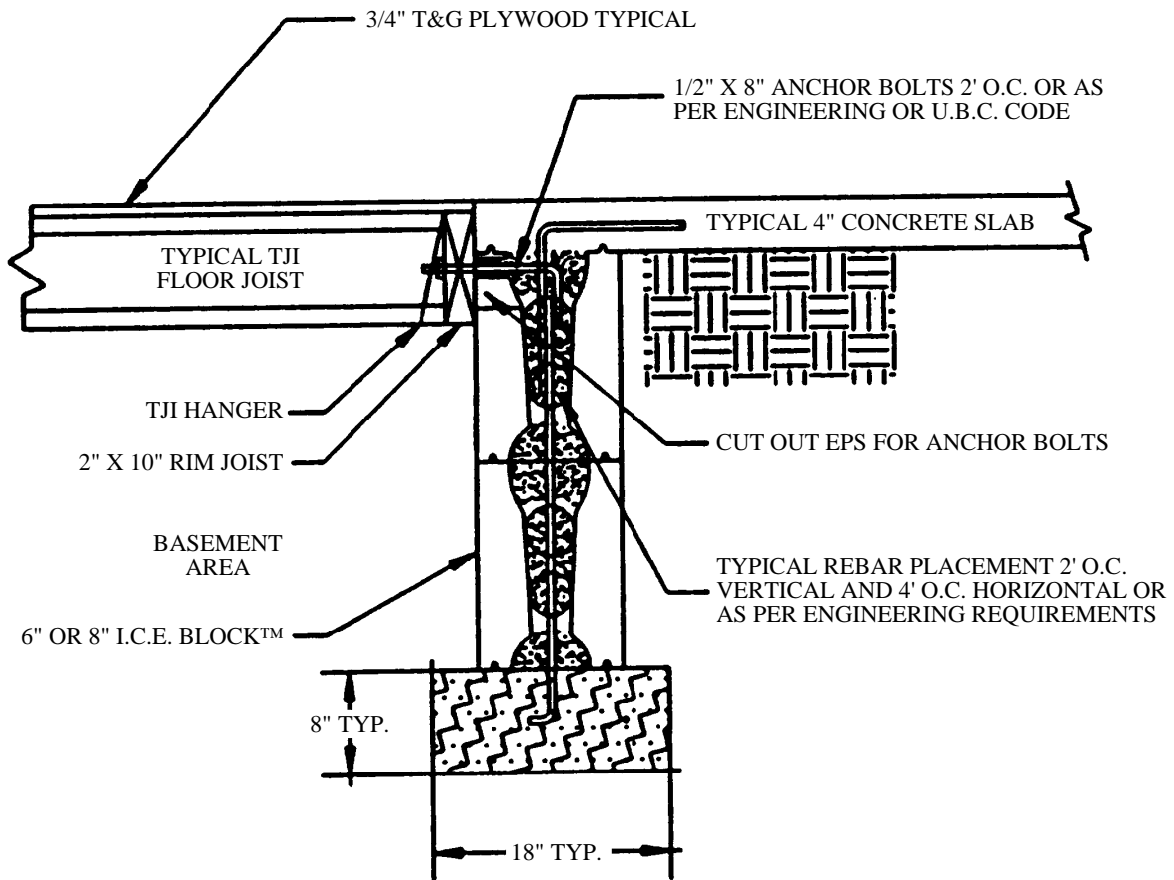


Note: This is only a suggested method of incorporating different building methods with the I.C.E. Block™ Wall System. Please consult your architect or engineer for their approvals.

I.C.E. BLOCK™ WALL SYSTEM

5

I.C.E. BLOCK™ TO CONCRETE FLOOR WITH
WOOD FRAME OR STEEL FRAME FLOORING



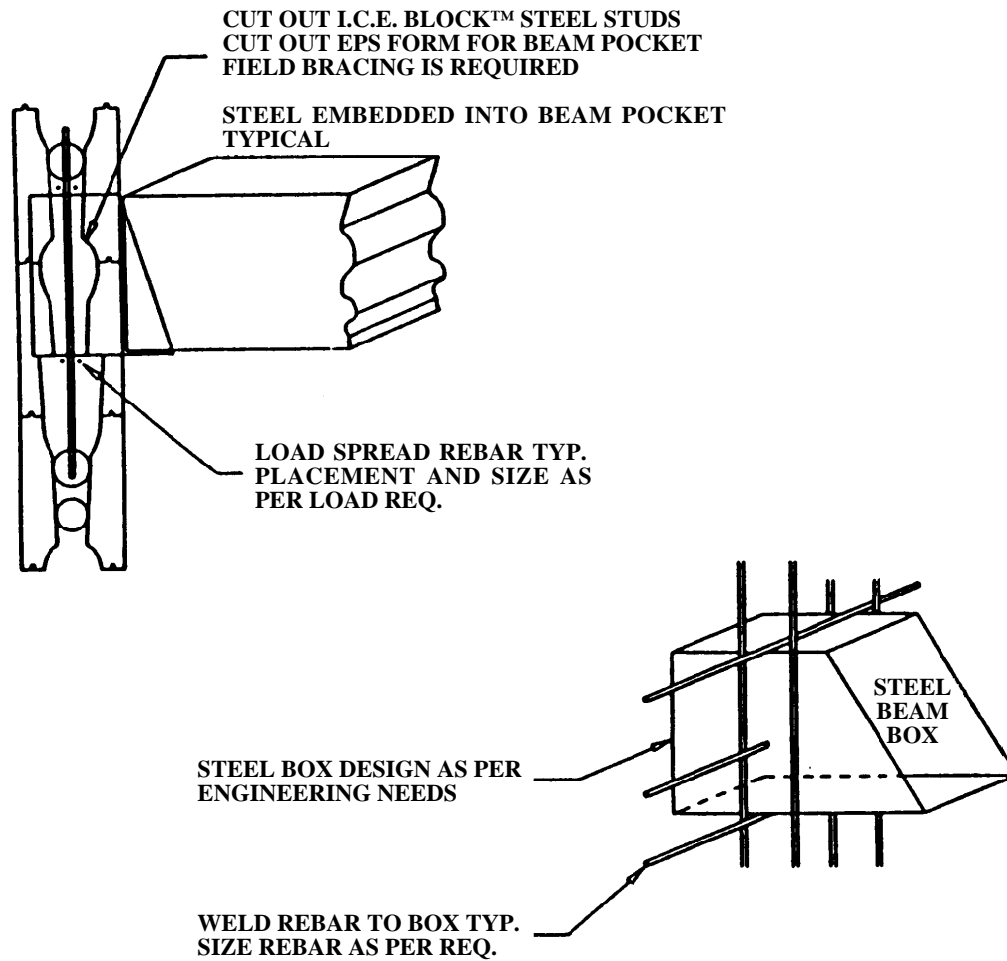
Note: This is only a suggested method of incorporating different building methods with the I.C.E. Block™ Wall System. Please consult your architect or engineer for their approvals.

I.C.E. BLOCK™ WALL SYSTEM

6

WOOD STEEL BEAM TYPICAL ATTACHMENT
COMMERCIAL APPLICATION

OD STEEL BEAM TYPICAL ATTACHMENT
COMMERCIAL APPLICATION

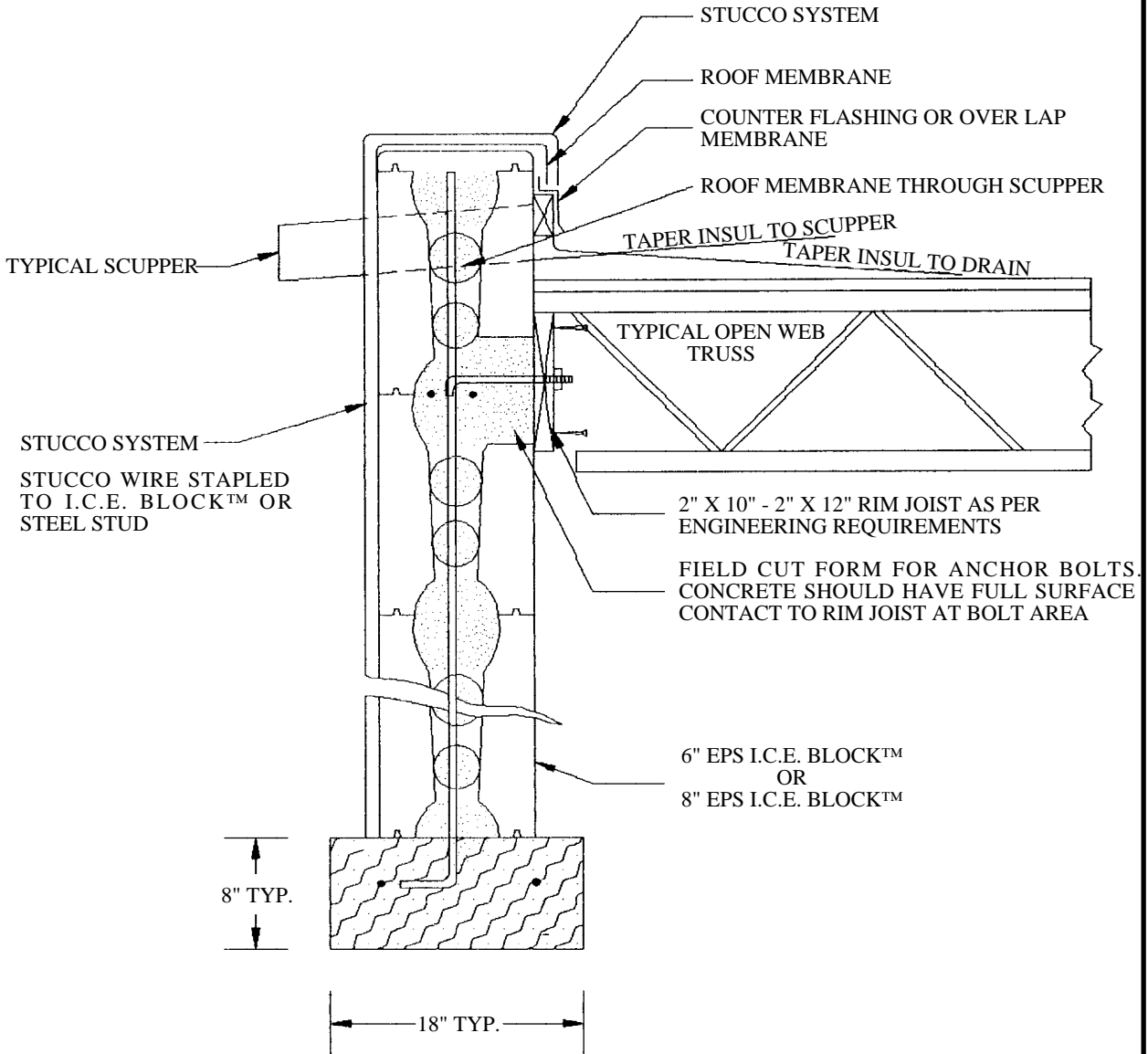


Note: This is only a suggested method of incorporating different building methods with the I.C.E. Block™ Wall System. Please consult your architect or engineer for their approvals.

I.C.E. BLOCK™ WALL SYSTEM

7

PARAPET WALL TO ROOF SYSTEM
TYPICAL PARAPET OPEN WEB TRUSS

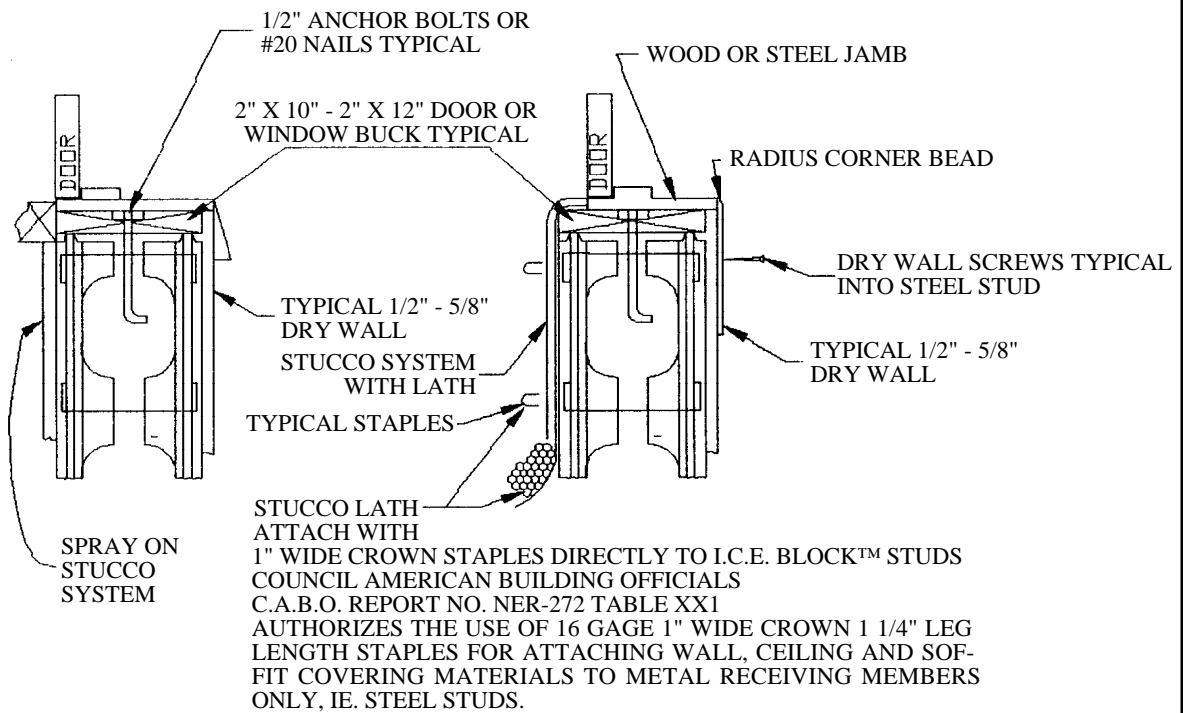


Note: This is only a suggested method of incorporating different building methods with the I.C.E. Block™ Wall System. Please consult your architect or engineer for their approvals.

I.C.E. BLOCK™ WALL SYSTEM

8

STAGGERED DOOR FRAME
TYPICAL DOOR JAMB

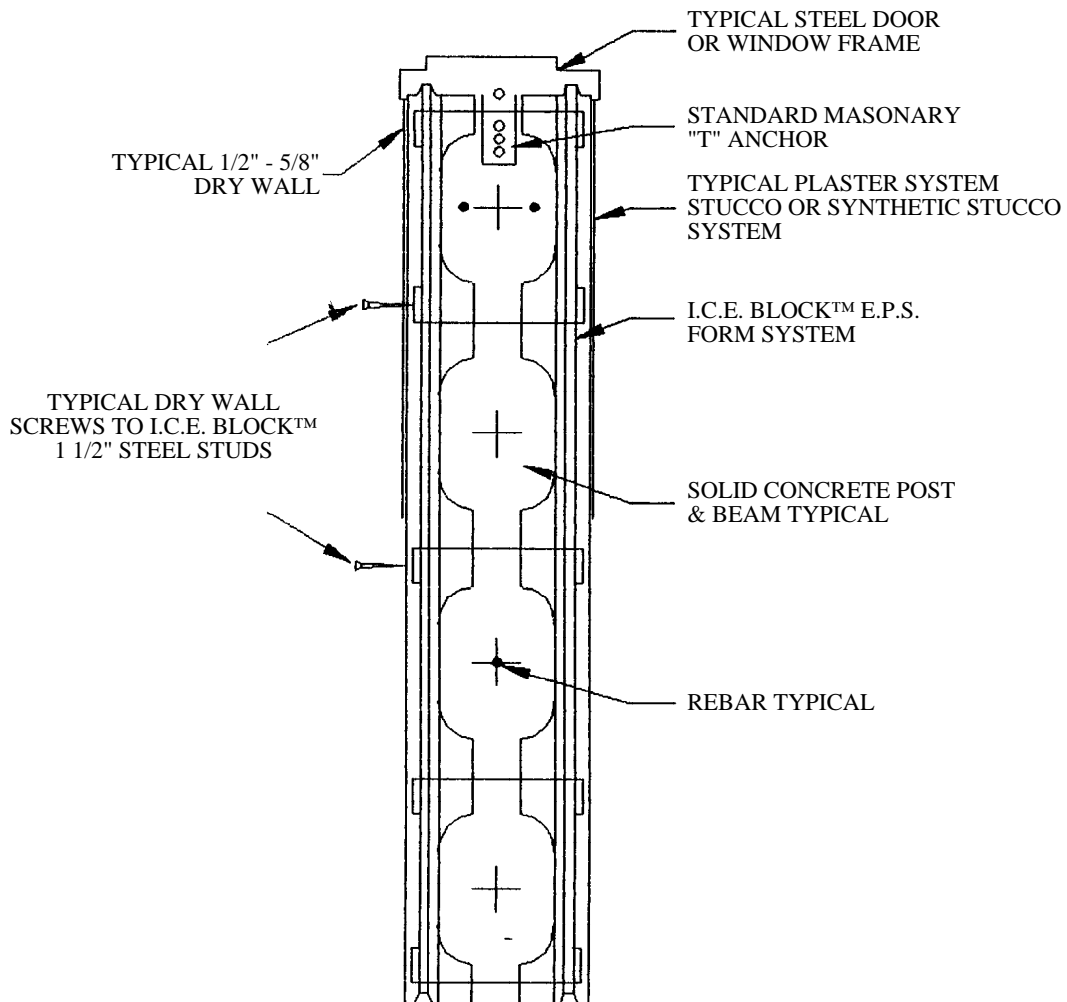


Note: This is only a suggested method of incorporating different building methods with the I.C.E. Block™ Wall System. Please consult your architect or engineer for their approvals.

I.C.E. BLOCK™ WALL SYSTEM

9

TYPICAL STEEL DOOR-WINDOW FRAME MOUNTING



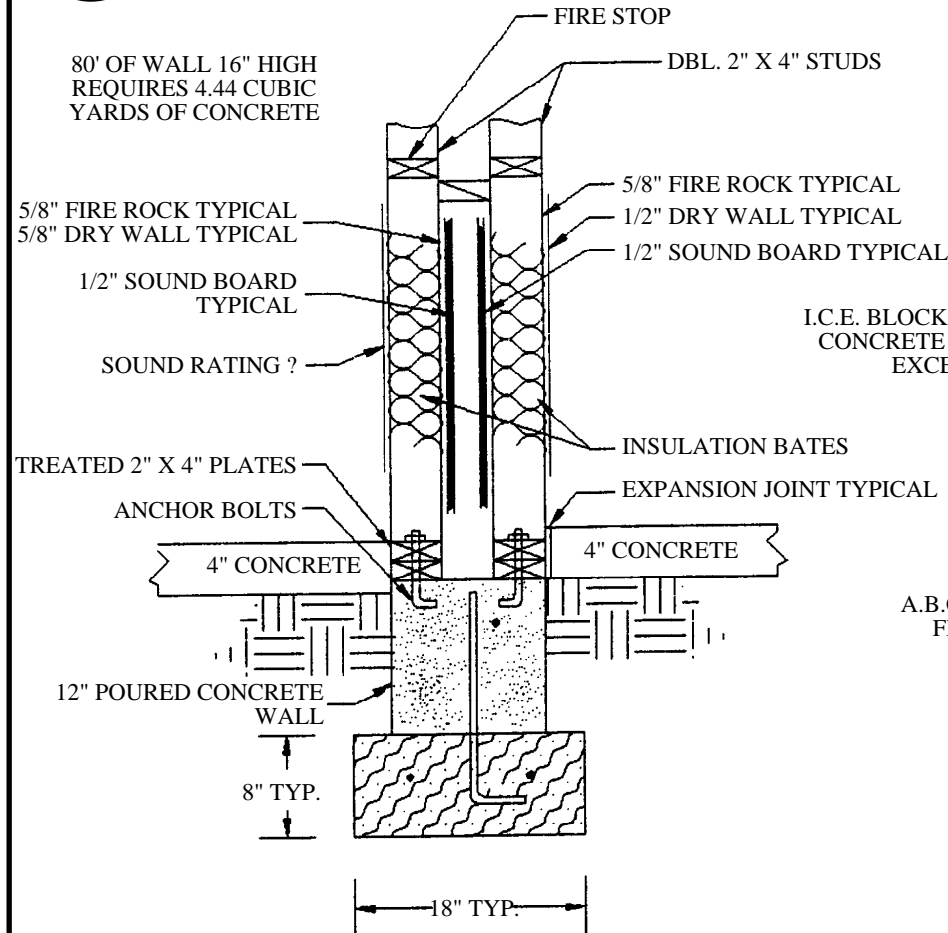
Note: This is only a suggested method of incorporating different building methods with the I.C.E. Block™ Wall System. Please consult your architect or engineer for their approvals.

I.C.E. BLOCK™ WALL SYSTEM

10

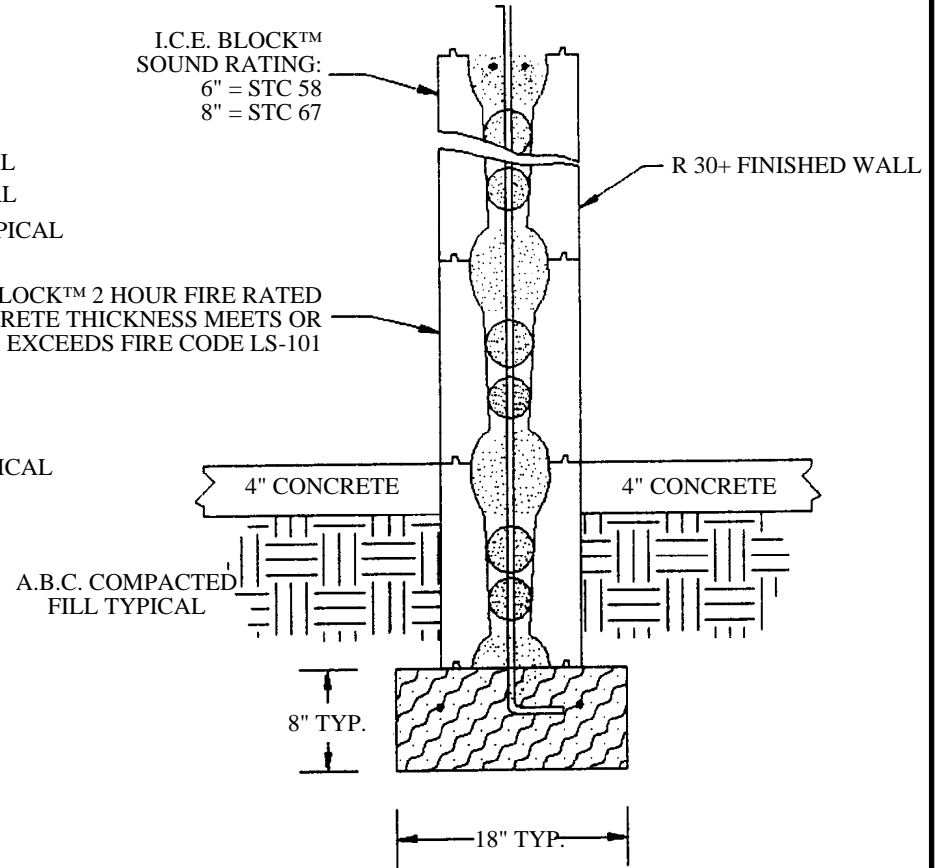
COMMON WALL
APARTMENT - CONDOMINIUM - TRI PLEX

80' OF WALL 16" HIGH
REQUIRES 1.53 CUBIC
YARDS OF CONCRETE



I.C.E. BLOCK™
SOUND RATING:
6" = STC 58
8" = STC 67

I.C.E. BLOCK™ 2 HOUR FIRE RATED
CONCRETE THICKNESS MEETS OR
EXCEEDS FIRE CODE LS-101

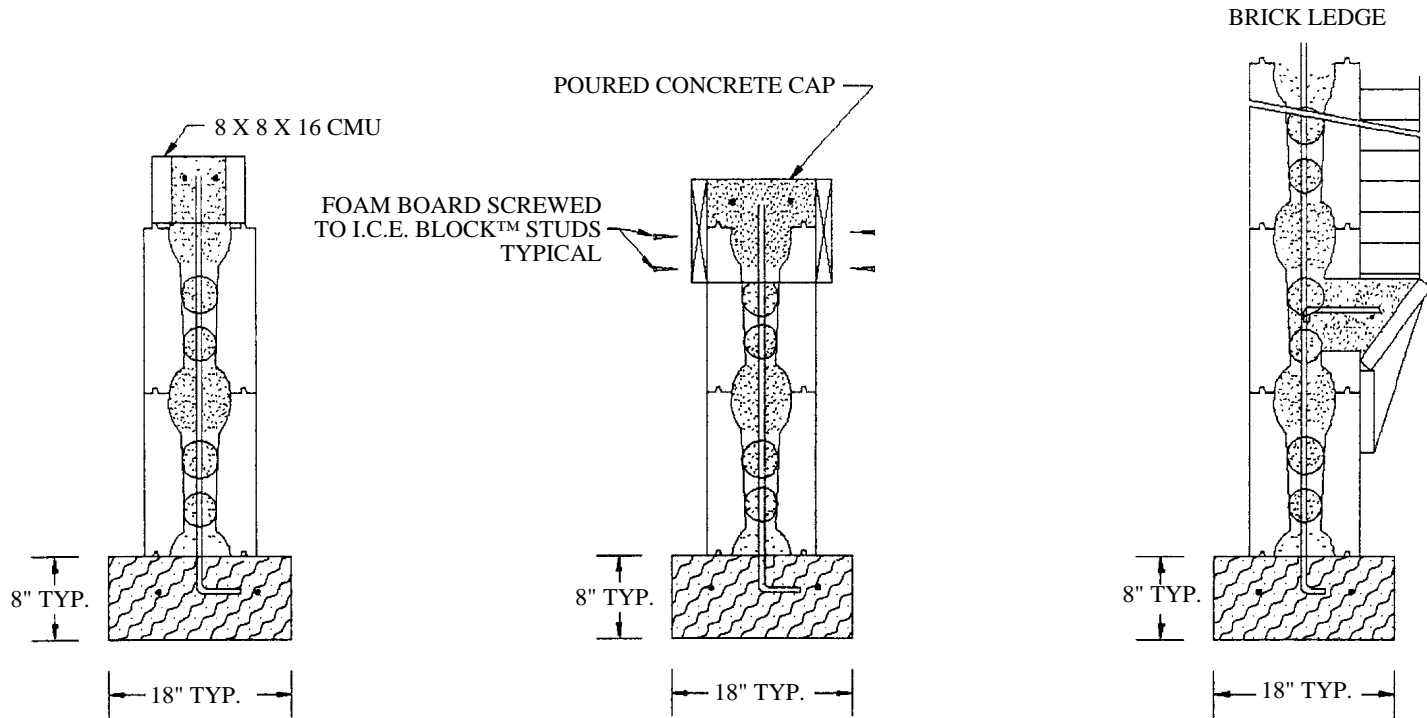


Note: This is only a suggested method of incorporating different building methods with the I.C.E. Block™ Wall System. Please consult your architect or engineer for their approvals.

I.C.E. BLOCK™ WALL SYSTEM

11

TYPICAL MONOLITHIC POUR
CONCRETE SYSTEM

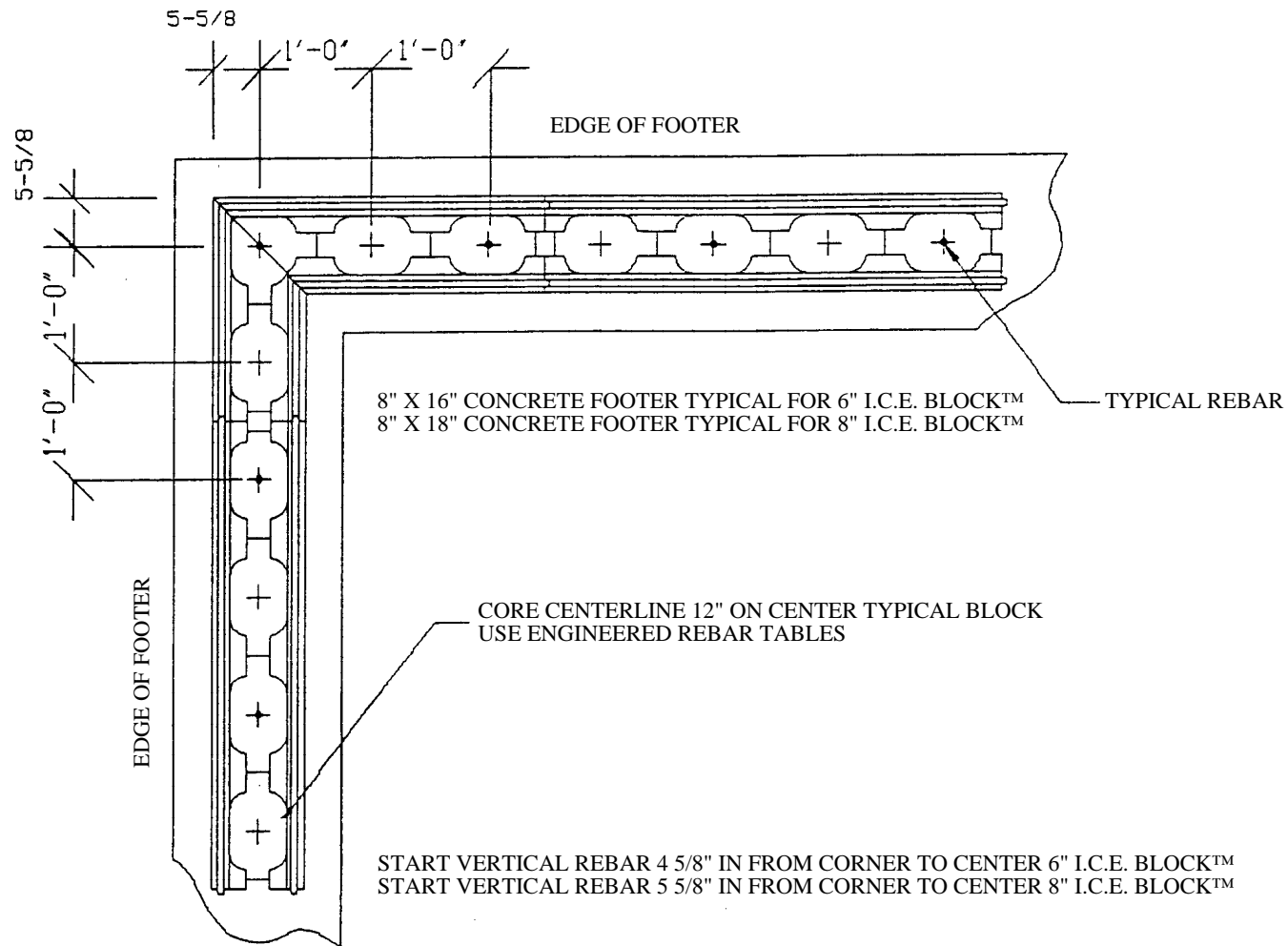


REBAR AS PER I.C.E. BLOCK™ STANDARD OR ENGINEERING
AS REQUIRED TYPICAL

Note: This is only a suggested method of incorporating different building methods with the I.C.E. Block™ Wall System. Please consult your architect or engineer for their approvals.

I.C.E. BLOCK™ WALL SYSTEM

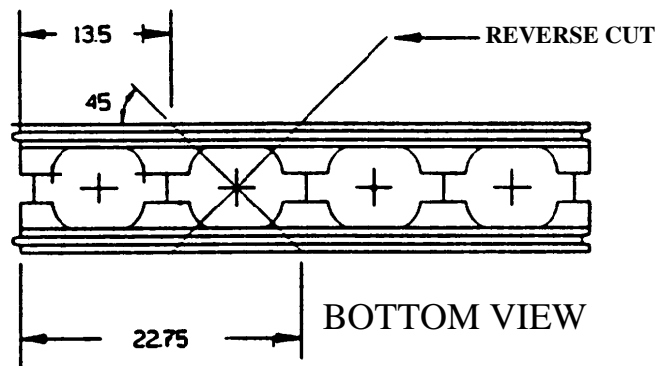
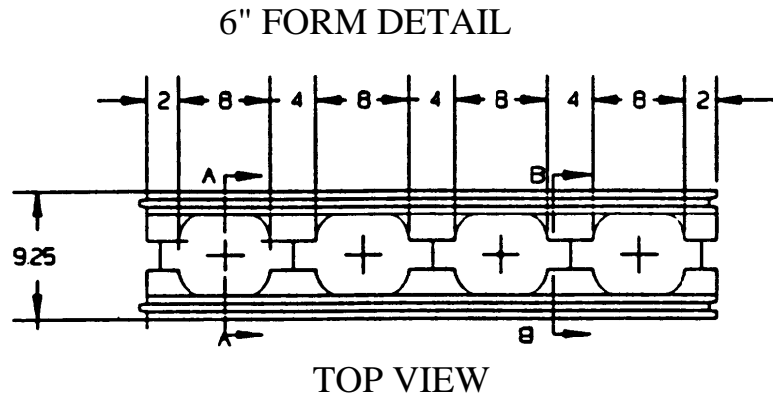
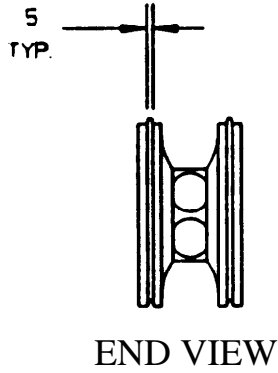
12



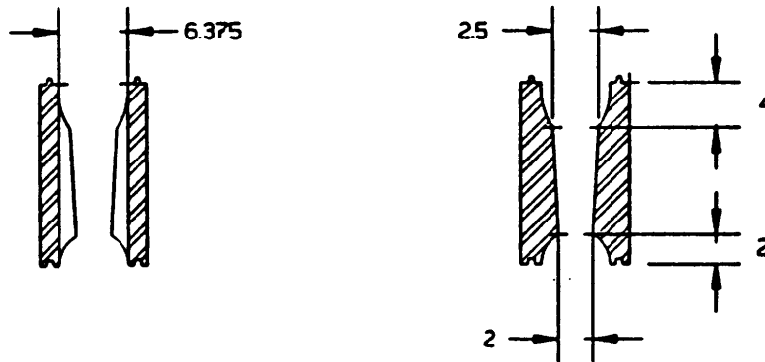
Note: This is only a suggested method of incorporating different building methods with the I.C.E. Block™ Wall System. Please consult your architect or engineer for their approvals.

Detail 12

Detail A - 6" I.C.E. BLOCK™ Form Detail

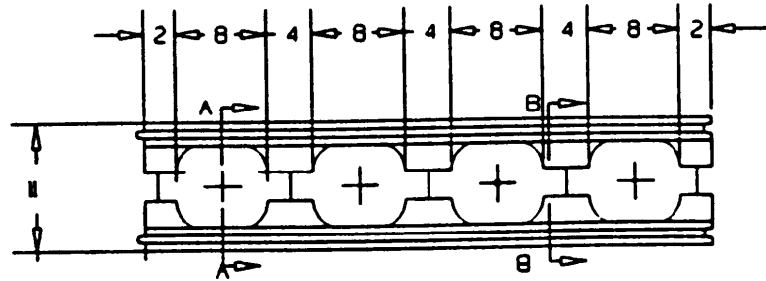


ALL DIMENSION
ARE IN INCHES

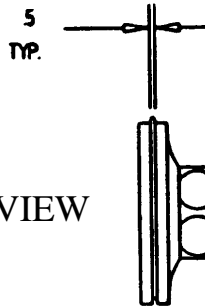


Detail B - 8" I.C.E. BLOCK™ Form Detail

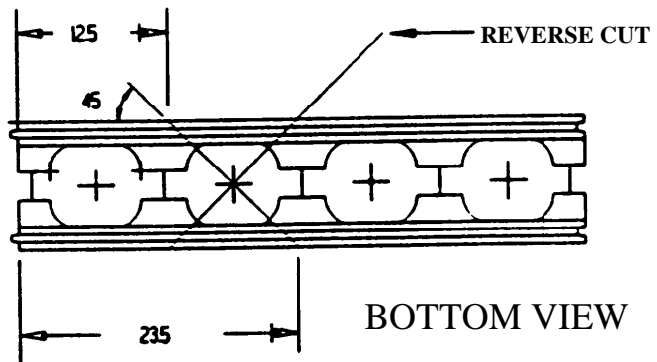
8" FORM DETAIL



TOP VIEW

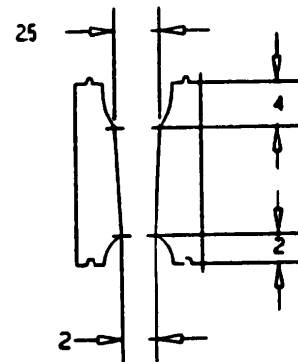
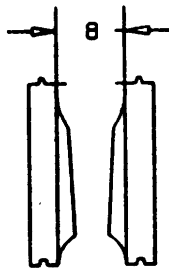


END VIEW



BOTTOM VIEW

ALL DIMENSION
ARE IN INCHES



I.C.E. Block™ Building Systems, Inc.

570 S. Dayton-Lakeview Road
New Carlisle, Ohio 45344

1-(877) ICF 4800

1-(877) 423-4800

FAX 937-845-9837

